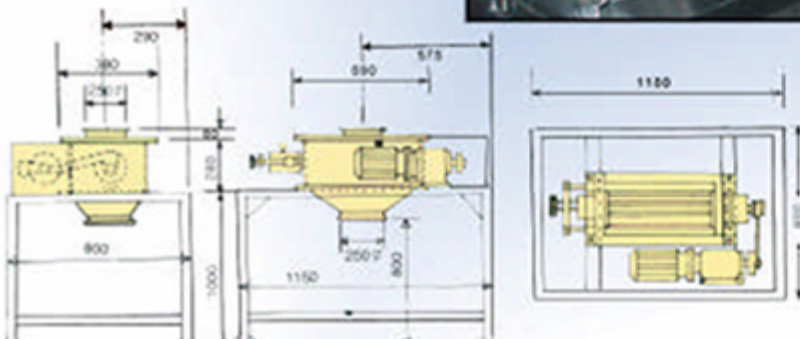


CAPPLUS TECHNOLOGIES

CPT G250 GRANULATOR

Easy Installation in Production Line
Uniform Granules, Less Fines
Stainless Steel Construction
Oscillating Rotor Motion
Maintenance Free
Easy Cleaning
High Output



Up to 250 Kg/hr
225 Kg (with stand)
170 Kg (without stand)
2 HP, 1440 RPM, 3 Phase, 1.5 Kw